

POLYKEN®

339

Professional Grade Foil Tape

A Cold Weather professional-grade UL181 rated foil tape for sealing all HVAC systems including duct board.



Listed
UL181A-P
UL181B-FX

- Cold Weather Adhesion - performs at temperatures as low as -10° F.
- High Temperature Performance - operating temperatures as high as 325°F.
- UL181A-P & UL181B-FX Listed
- Printed for Easy Inspection

Ordering Information: POLYKEN 339

| Item #: | Size: | Color: | Rolls/Case: |
|---------|----------------|----------|-------------|
| 651997 | 2.5 in x 60 yd | Aluminum | 16 |
| 652230 | 3 in x 60 yd | Aluminum | 16 |



POLYKEN® 339
UL181 A & B-FX Approved
Cold Weather Premium Foil Tape

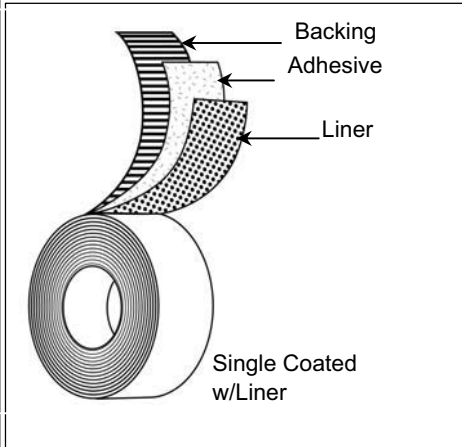
APPLICATIONS

- Recommended for use on UL listed fiberglass duct board and flexible duct systems in accordance with manufacturer's installation instructions
- Ideal for permanently flexible seals
- Meets UL 181A-P standards for use on fiberglass duct systems and UL 181B-FX standards for use on flexible duct closure systems

FEATURES & BENEFITS

- UL 181A-P and UL 181B-FX Listed
- High performance acrylic adhesive
- Adhesive protected by a bleached kraft paper liner which also provides easy unwind
- Excellent shear and peel adhesion
- Superior adhesion even at extremely low or high temperatures.

CONSTRUCTION



PRODUCT DESCRIPTION

Single-Coated w/Liner Construction

Backing:

- 2.3 mil Aluminum Foil - Printed

Adhesive:

- Acrylic

Liner:

- Paper

Colors:

- Aluminum

TEST DATA

| Test | Typical Value | Typical Value (Metric) | Test Method |
|--------------------------------|---------------|------------------------|-------------|
| Total Thickness | 4.8 mils | 121.92 μ | ASTM D-1000 |
| Foil Thickness | 2.3 mils | 58.42 μ | ASTM D-1000 |
| Adhesion to Steel | 68 oz./in. | 7.44 N/cm | PSTC-1 |
| Adhesion to Backing | 60 oz./in. | 6.57 N/cm | PSTC-1 |
| Tensile Strength | 23 lb./in. | 40.28 N/cm | ASTM D-1000 |
| Operating Temperature Range | -20F To 325F | -29C To 163C | |
| Installation Temperature Range | -10F to 200F | -24C To 93C | |
| Flame Spread | 3 | | UL 723 |
| Smoke Developed | 0 | | UL 723 |

**Recommended storage conditions: 40-60% Humidity, 60°F-80°F

The information presented herein was prepared at COVALENCE ADHESIVES, LLC (25 Forge Parkway Franklin, MA 02038) by qualified technical personnel. To Covaleance's knowledge it is true and accurate. However, the information and recommendations are furnished for these products with the understanding that the purchaser or user, as the case may be, will independently determine that the product is suitable for the intended use, and that such use complies with all applicable federal, state, and local laws and regulations. The data are submitted only for the user's information and consideration, and do not constitute a warranty of any kind (including but not limited to a warranty of merchantability or of fitness for a particular purpose), or a representation for which COVALENCE ADHESIVES assumes any legal responsibility.



Oficinas en Estados Unidos

Polyken
1211 San Dario Ave. No. 1481
Laredo, Tx. 78040
Tel. : (956) 220-3812

Oficinas México:

Polyken
Prolongación Estadio Azteca No.18
Col.: El Caracol, C.P.: 04300
México, D.F., Delegación: Coyoacan
Tel.: (55) 5528-0161; (55) 5528-0052
Fax.: (55) 5424-1920
ventasyservicio@polyken.com.mx
direccion@polyken.com.mx

Bodega en Estados Unidos

Polyken
406 Enterprise Rd.
Interamerica Park
Laredo, Tx 78045
Tel.: (956) 727-2491
Fax.: (956) 724-8509
Contacto: Jesús Alberto Marina Delgado